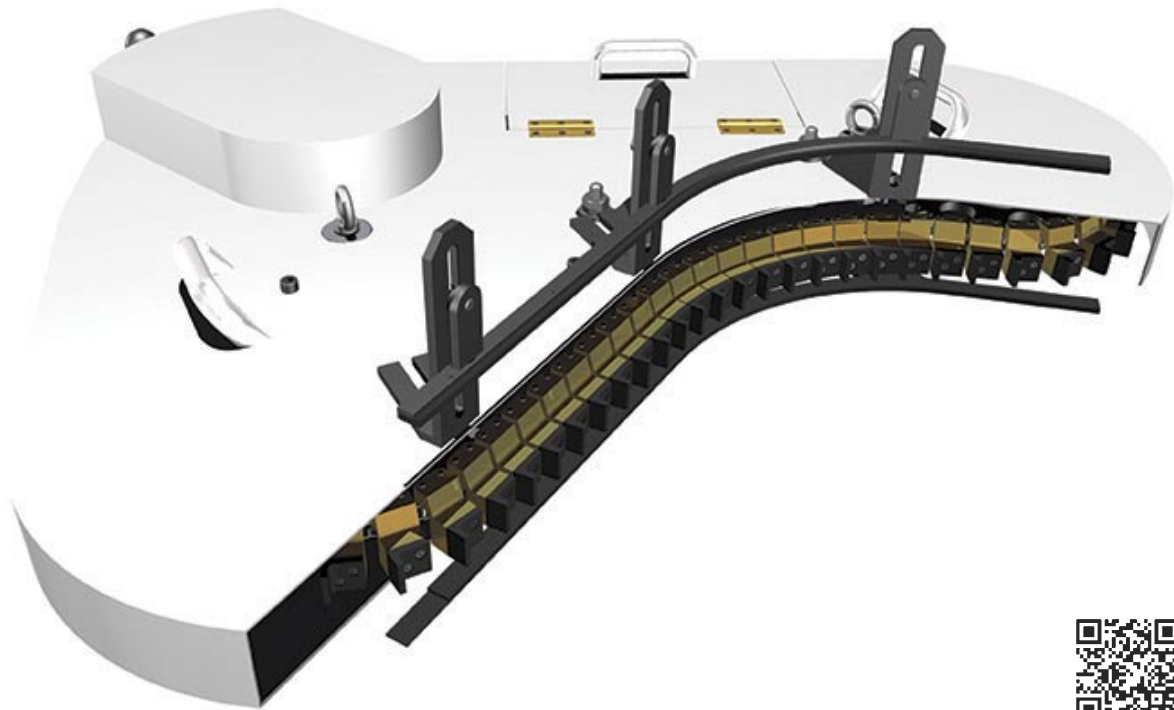


AWTS-1000 Transfer Unit

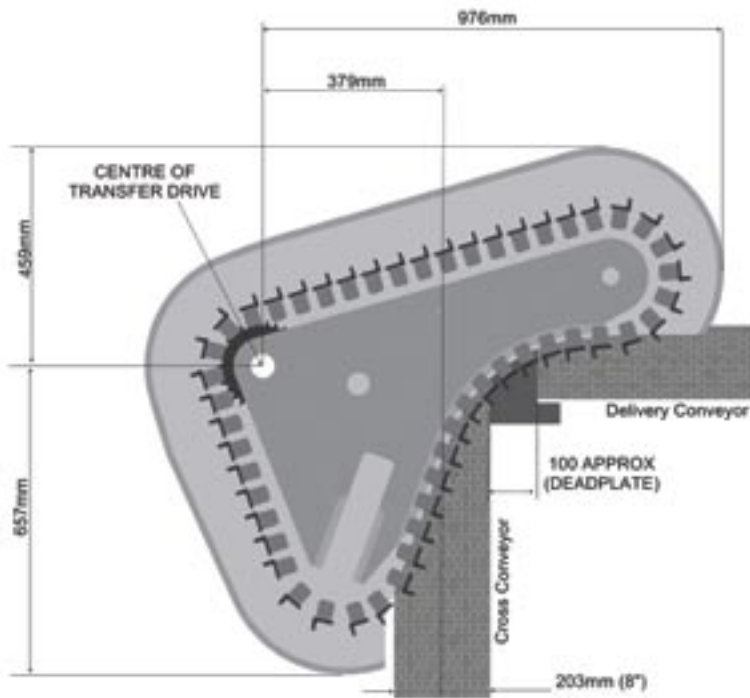


The AWTS Transfer is the latest in the specific range of transfer units designed to handle cosmetic and pharmaceutical containers. Suitable for handling containers from 15mm diameter to 55 mm diameter and capable of running at speeds up to 450 BPM. On special installations this transfer can be used to accept dual row delivery, converting two incoming rows into one single row on the cross conveyor. Special finger designs can be considered to suit customer's requirements.

Features and Benefits

- 3 finger sizes
- 3 finger spacing configurations
- 'Quick Change' fingers
- Transfers containers from 15mm
- Adjustable top and bottom ware guides
- Spacing reduced by 40% through transfer
- Reduced job set-up time
- Enhanced container stability
- Reliable cross conveyor spacing
- Minimal spares holding
- Consistent ware handling up to 450BPM on standard lines or 900BPM on dual row feed
- For optimum performance we recommend use with Sheppee Cross Conveyor
- Recommended service intervals 12 months
- Carbon or SSB insulation
- For optimum transfer performance AWTS should be operated in conjunction with Lifeguard all link Cross Conveyor belt.

AWTS-1000 Transfer Unit



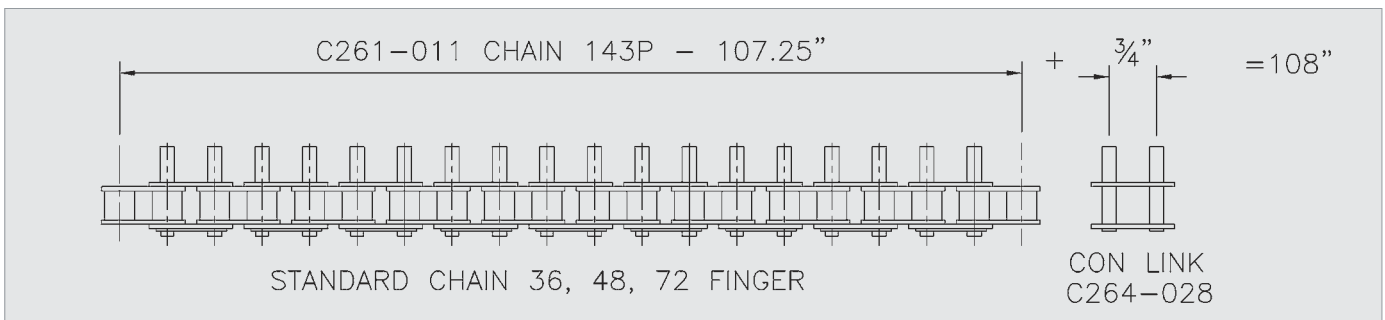
Technical Specifications

Operating speed:	Up to 450BPM or 900BPM for dual row feed
Chain length:	108"
Chain pitch:	34" Duplex
Number of teeth on drive sprocket:	30
Chain movement per revolution of drive shaft:	22.5"

Installation Details and Service Requirements

- Connection to Lincoln lubrication
- Can be driven by servo or synchronous motor drive
- Can work with all I.S. Machine drive systems
- Transfer can be used in conjunction with a Sheppee ITD-8000-2 Transfer Drive Unit or STK-9284 Transfer Drive Gearbox

Chain Length Data



AWTS-1000 Transfer Unit

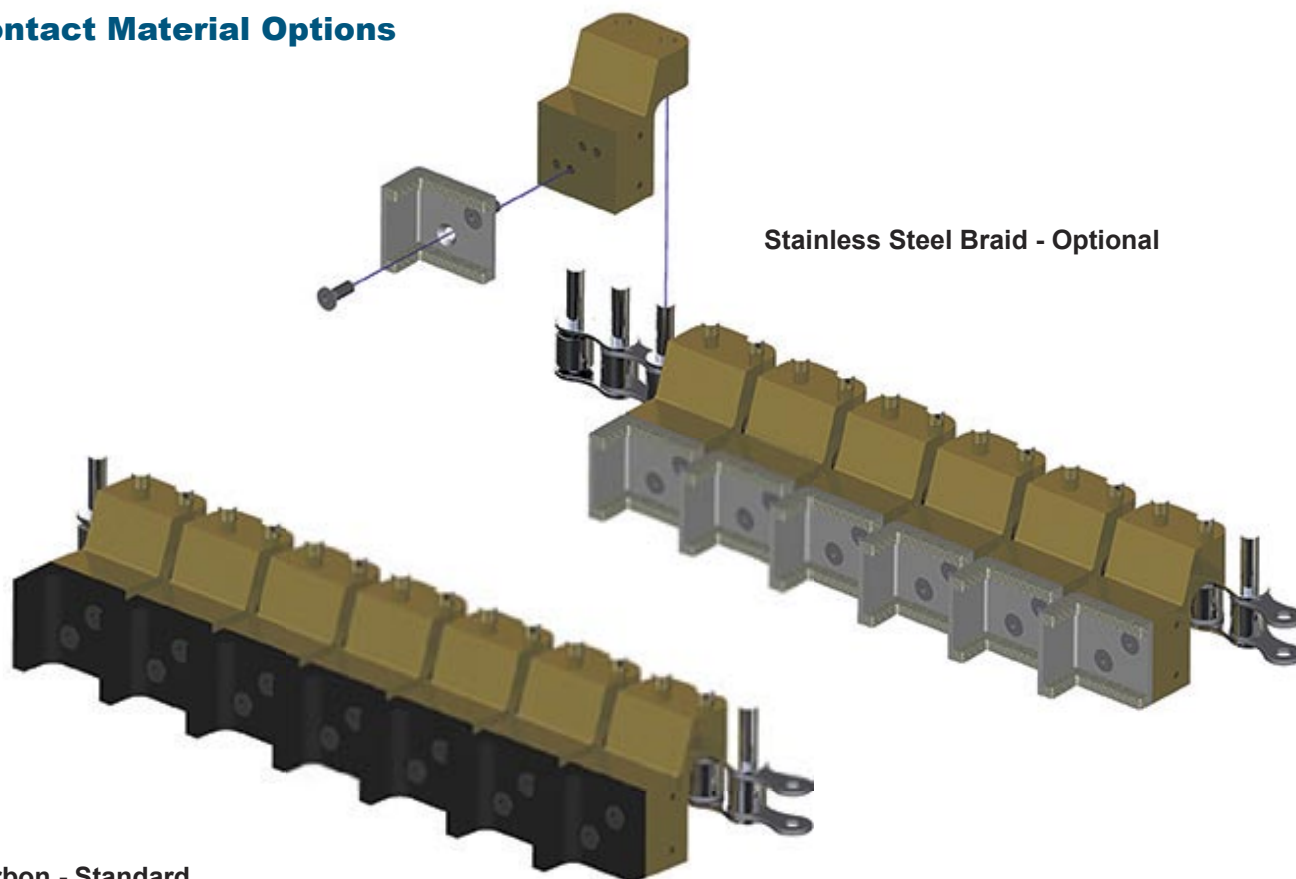
Finger Spacing Options

Number of Fingers	Finger Spacing	Finger Part Number*	Intermediate Finger Part Number	Maximum Container Size Limits**
72	1½"	AWT-1021-01	AWT-1021-01-P	26mm
48	2¼"	AWT-1021-02	AWT-1021-01-P	40mm
36	3"	AWT-1021-02	AWT-1021-01-P	55mm

*For SSB (stainless steel braid) option, add "-SSB" to the end of the part number.

** When using SSB insulation, container size limits should be reduced by 2mm.

Contact Material Options



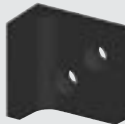
AWTS-1000 Transfer Unit

Variable and Consumable Item Identification Chart

Part: AWT-1021-01-L/R
Size 01 Finger Assembly



Part: AWT-1021-02-L/R
Size 02 Finger Assembly



Part: AWT-096
Size 01 Pusher Pad

Part: AWT-082-INV
Size 02 Pusher Pad

Part: AWT-1021-01-P
Plain Finger Assembly

Part: AWT-098-INV
Plain Insulator

108" Chain
Part: C261-011

Ware Guide Insulator
Part: AWT-086A

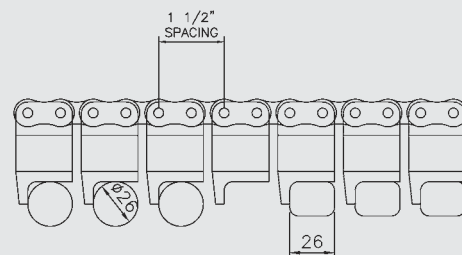
Ware Guide Insulator
Part: AWT-086B

Ware Guide Insulator
Part: AWT-086C

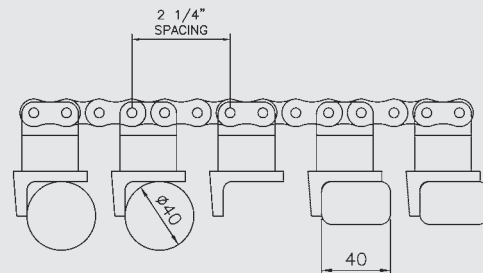
Finger Carrier
Part: AWT-084-INV

Container size limits

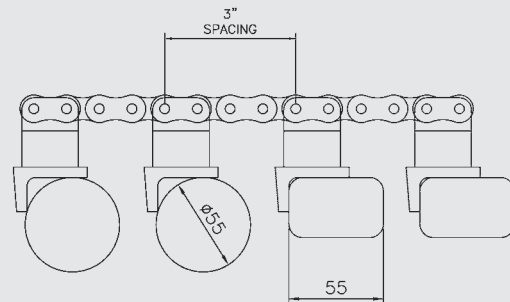
FINGER ASSEMBLY No. AWT-1021-01



FINGER ASSEMBLY No. AWT-1021-02



FINGER ASSEMBLY No. AWT-1021-02



For Stainless Steel Braid add SSB to the part number.
For all additional parts refer to assembly drawings.