

# CCA-1200 Cross Conveyor



The design of the cross conveyor has a major influence in the overall ware handling efficiency. Cross conveyors work in the most difficult conditions with wear and tear being common due to the nature of the mechanical design. The CCA-1200 has many in-built features, which allow for critical areas to be adjusted during a normal production run. Having this ability reduces fallen ware and is essential for accurate lehr loading and improved production efficiencies.

## Features and Benefits

- Simple robust construction
- Individual deadplate assembly with both tilt and lift feature
- Adjustable transfer deadplate, idle roller and wear plate
- Full adjustment of height and linear position of conveyor beams
- Quick interchangeable deadplates
- Ability to counteract heat distortion
- Low and simple maintenance
- Safe and reliable operation
- Consistent and trouble free container handling
- Can be used in conjunction with Sheppee ware handling system
- Suitable for any lehr width
- Quick change wear strips

# CCA-1200 Cross Conveyor

## Technical Specification

### Drive Requirements:

- For use with customers synchronous or servo motor or integrated with Sheppee ware handling system.

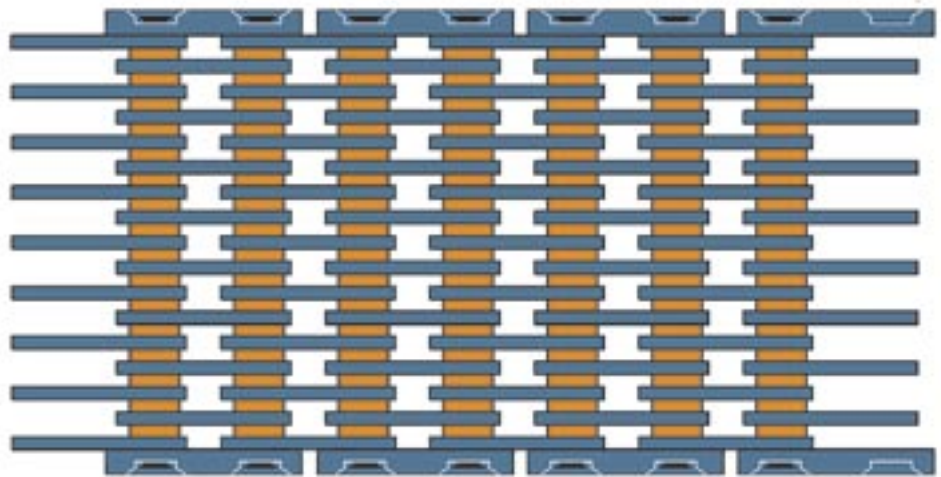
### Service Requirements:

- Connection to Lincoln centralised lubrication system (if applicable).

## Conveyor Chain

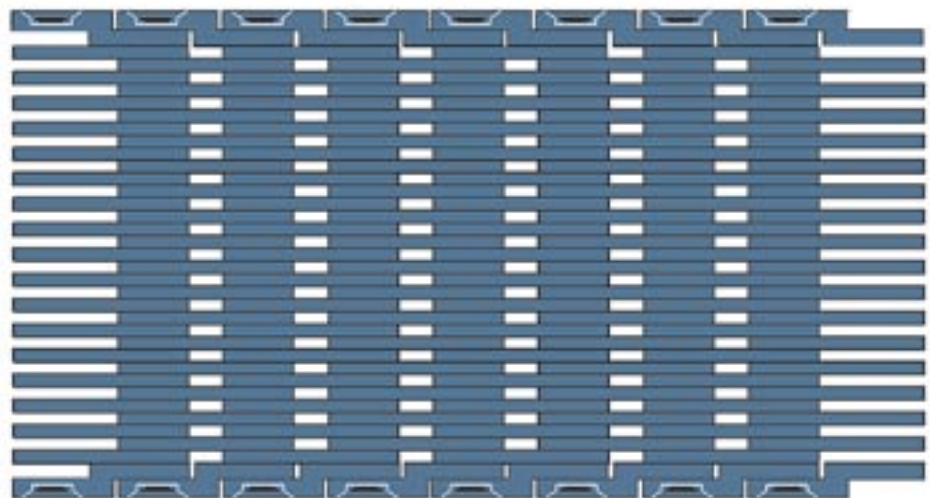
### ALLGUARD FX

Link spacer conveyor chain  
(Recommended standard  
for containers 40mm  
diameter and above)



### Lifeguard \*

All link conveyor chain  
(Recommended for  
containers less than 40mm  
diameter)

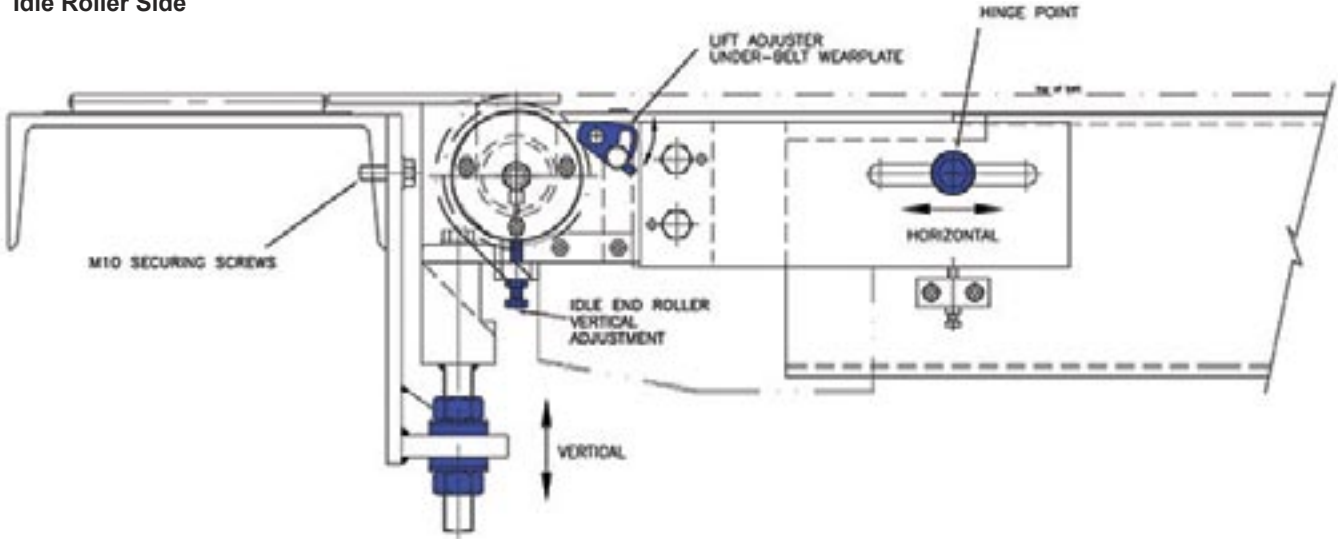


\*Additional cost

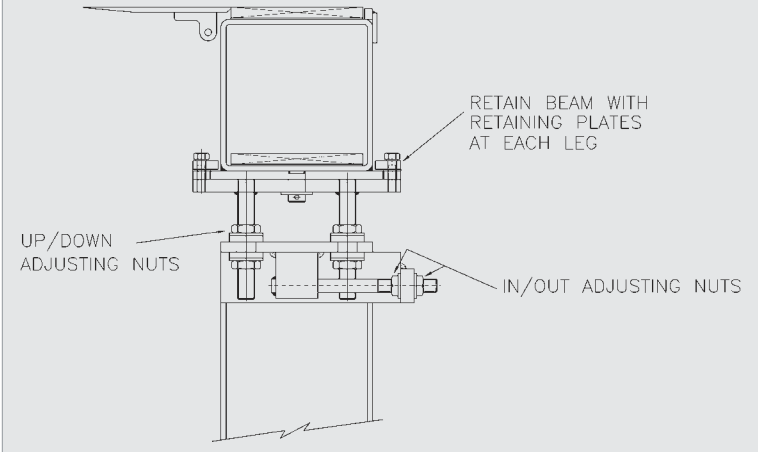
# CCA-1200 Cross Conveyor

## CCA-1200 Drawings

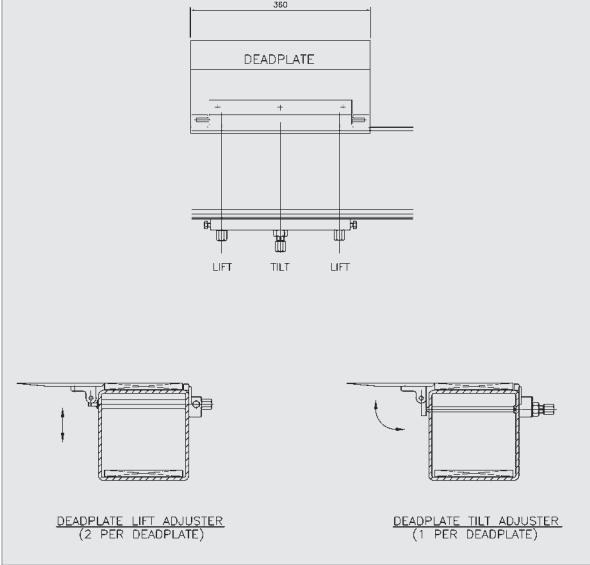
Idle Roller Side



Floor Mounted Legs




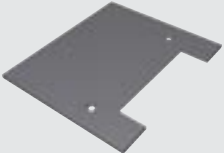
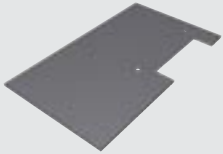
Deadplate Adjust



# CCA-1200 Cross Conveyor

## Consumables

Part Number:	Description:	
CC/046	Deadplate	
CC/238	Idler Sprocket	
CCA/1150-FEV	Idle Sprocket Assembly	
C315-6206HT	Bearing	

Part Number:	Description:	
CC/239	Shaft	
CC/304	Transfer Deadplate	
CC/439	Transfer Deadplate*	

(\*when running with a VFT-1000 transfer)

For additional parts refer to assembly drawings.