



## ITD-8000-2 Transfer Drive



The ITD-8000 is a free standing, floor mounted ware transfer drive unit. Its design incorporates mechanical linear and height adjustment of the ware transfer, giving the ability to position the transfer unit correctly during a production run. Suitable for installation on any IS production line, the ITD-8000 can be prepared for any type of drive motor or supplied with servo motor and controls as a stand-alone transfer and transfer drive package.



### Features and Benefits

- Free standing unit – no conveyor mounting required
- Mechanical linear and height adjustments for accurate transfer positioning
- Height adjustable levelling feet
- For use on all I.S. production lines
- Suitable for all Sheppee ware transfer units
- Compact and easy to install
- Reduced set up time
- Flexible transfer positioning
- Reduced costs in maintenance and operation
- Improved production efficiencies through improved transfer performance
- Suitable for customers synchronous or servo motor
- Can be used in conjunction with Sheppee ware handling system

# ITD-8000-2 Transfer Drive

## Technical Specifications

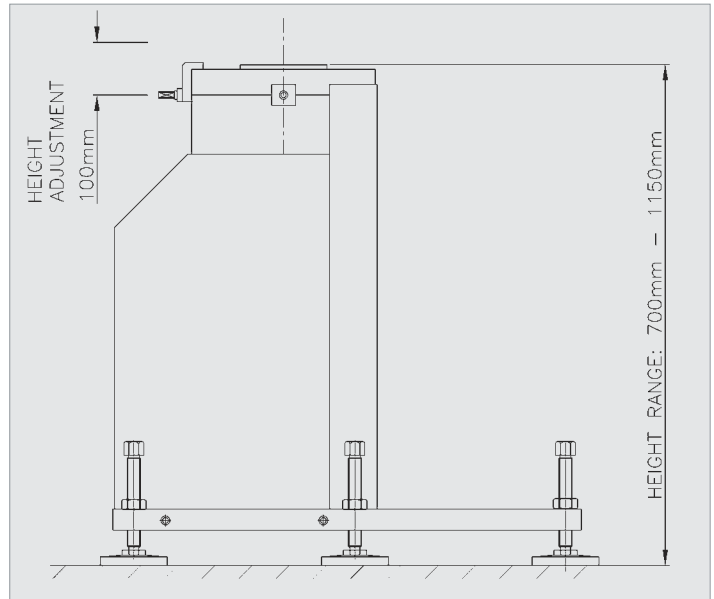
Motor Specification: Synchronous or servo motor - 0.75KW min

### Overall Dimensions:

Width	1,000mm
Depth	500mm
Height	950mm

### Transfer Adjustment Range:

Side to side	150mm
In and out	100mm
Up and down	100mm



ITD with Outriggers

