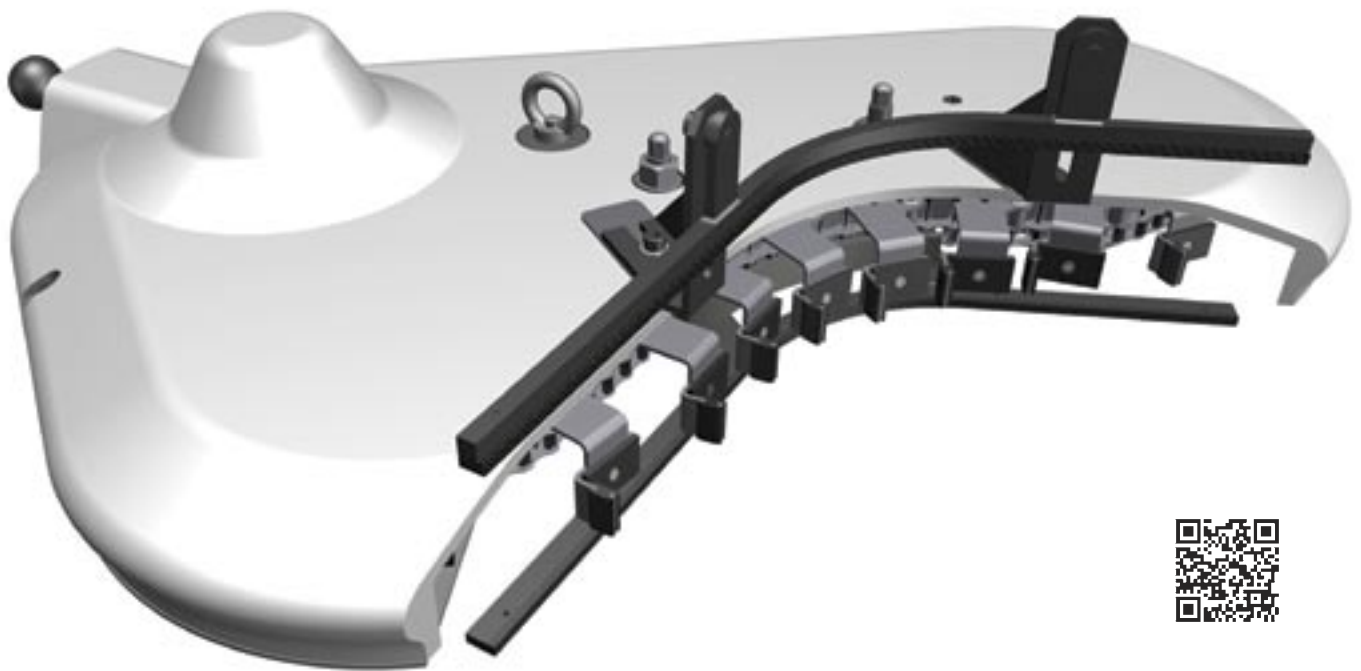




SWT-2000 Transfer Unit



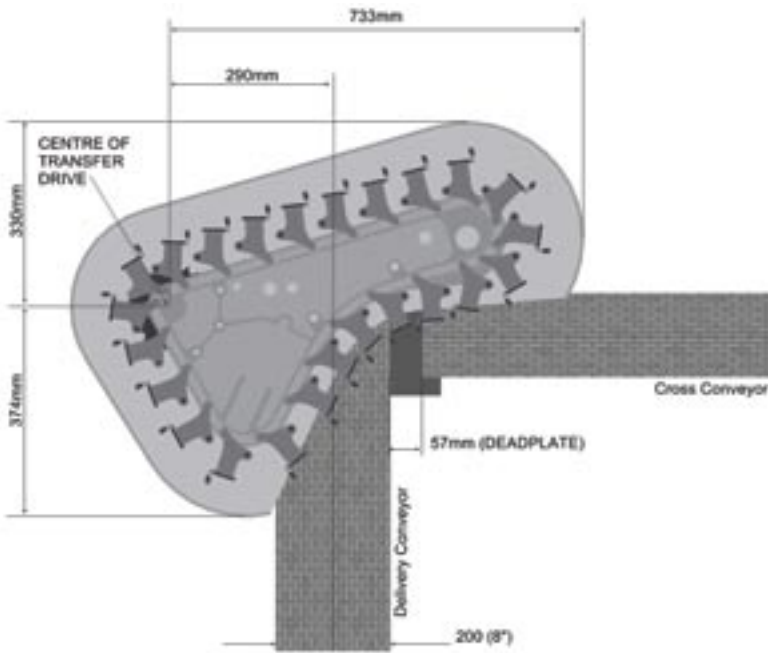
The SWT 2000 transfer unit has been specifically designed for the transfer of small ware products such as pharmaceutical and cosmetic containers to a max. Dia of 45mm and a max. height of 75mm. The SWT 2000 transfer unit is suitable for single and double Gob lines. The transfer offers, stability, precision and control when transferring containers from the machine conveyor onto the cross conveyor. With minimal downtime and effort, it is very simple procedure to change the finger spacing configuration.

Features and Benefits

- 3 Finger Sizes
- 4 Finger Spacing Configurations
- 'Quick Change' Hardened Stainless Fingers
- Transfers Containers from 20mm to 60mm diameter however over 45mm Sheppee would recommend the HST transfer.
- Adjustable Top and Bottom Ware Guides
- Spacing Reduced by 40% through Transfer
- Reduced Job Set Up Time
- Enhanced Container Stability
- Reliable Cross Conveyor Spacing
- Minimal Spares Holding
- Consistent Ware Handling Up To 300BPM
- Use in Conjunction With Sheppee Cross Conveyor
- Recommended Service Intervals 12 Months
- Carbon or SSB insulation
- Fingers Designed To Customer Requirements



SWT-2000 Transfer Unit



Technical Specifications

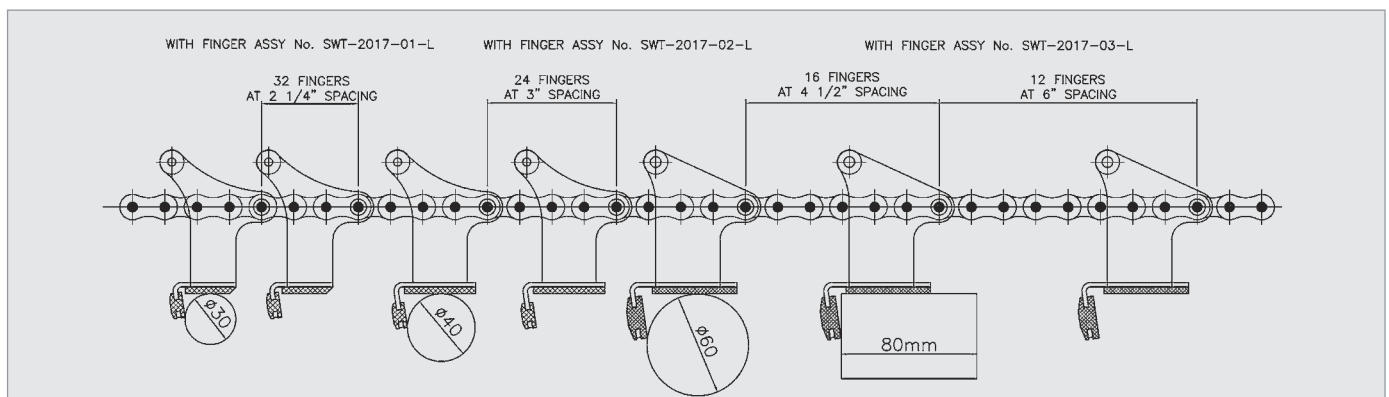
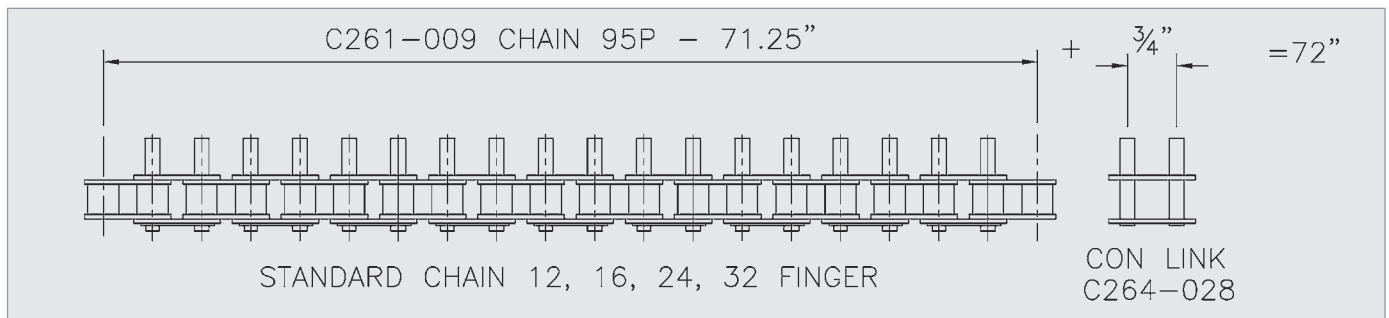
Operating Speed:	Up to 300BPM
Chain Length:	72"*
Chain Pitch:	3/4" Duplex
Number of Teeth on Drive Sprocket:	24
Chain Movement per Revolution of Drive Shaft:	18"

Installation and Service Requirements

- Connection to Lincoln Lubrication
- Can be Driven by Servo or Synchronous Motor Drive
- Can Work with all I.S. Machine Drive Systems
- Coupling Supplied to Suit any Drive Gearbox

Chain Length Data

*see chart below



SWT-2000 Transfer Unit

Finger Spacing Options

Number of Fingers	Finger Spacing	Finger Part Number*	Container Size Limits**
32	2 ¹ / ₂ "	SWT-2017-01-L/R	30mm
24	3"	SWT-2017-02-L/R	40mm
16	4 ¹ / ₂ "	SWT-2017-03-L/R	60mm***
12	6"	SWT-2017-03-L/R	50mm wide x 80mm long

*For SSB (Stainless Steel Braid) option add SSB to the part number, i.e. (insert any part number from the chart)-SSB

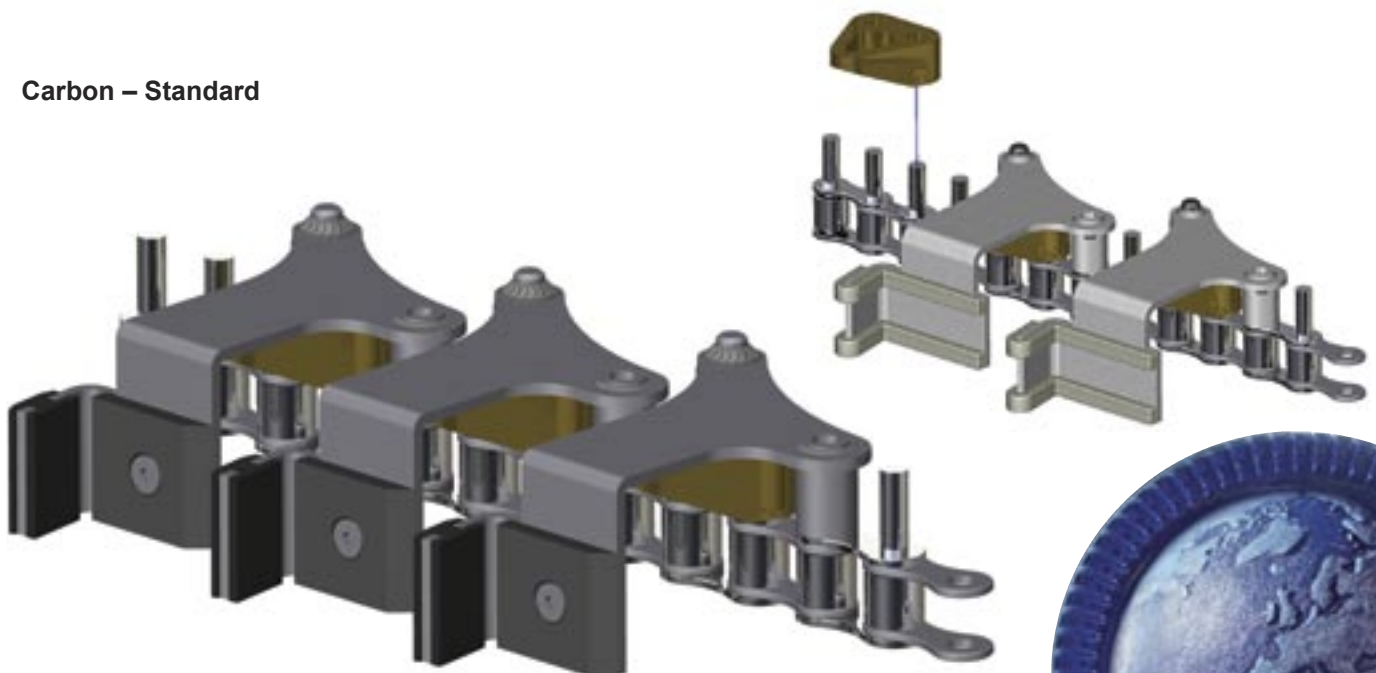
** When using SSB Insulation Container Size Limits should be reduced by 2mm

***Although the 4¹/₂" finger can take a diameter up to 60mm Sheppee recommend the HST transfer for anything over 45mm.

Contact Material Options


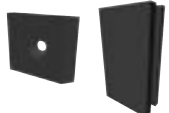










Carbon – Standard



SWT-2000 Transfer Unit

Variable and Consumable Item Identification Chart Standard Finger Assembly

Part Number	Description	
SWT-2017-01-L/R	Size 01 Finger Assembly	
SWT-2017-02-L/R	Size 02 Finger Assembly	
SWT-2017-03-L/R	Size 03 Finger Assembly	
SWT-055	Size 01 Pusher Pad	
SWT-069	Size 02 Pusher Pad	
SWT-072	Size 03 Pusher Pad	
C261-009	72" Chain	
SWT-044A	Upper Ware Guide Insulator A	
SWT-044B	Upper Ware Guide Insulator B	
SWT-044C	Upper Ware Guide Insulator C	
SWT-043A	Lower Ware Guide Insulator A	
SWT-043B	Lower Ware Guide Insulator B	
SWT-043C	Lower Ware Guide Insulator C	
SWT-074	Finger Carrier	

For Stainless Steel Braid add SSB to the part number.
For all additional parts refer to assembly drawings.