



Shear Blades

Manufactured by Glass Shearing Services Ltd

Serving the glass industry



Distributed on behalf of



UK: Halifax Way, Airfield Business Park, Elvington, York, YO41 4AU
T: +44 1904 608 999 F: +44 1904 608 777
E: sales@sheppee.com

China: Sheppee-AP Sales & Support Centre, Shenzhen, China,
T: +86 755 8222 5976 E: sales@si-ap.com

V1.0

www.sheppee.com



Shear Blades

Manufactured by Glass Shearing Services Ltd

**Specialist shear blade manufacturer
for the glass container and tableware
industry worldwide for over 20 years**



Shear Blades

Manufactured by Glass Shearing Services Ltd

Each shear blade is manufactured from 1.5mm high speed steel and precision ground at 3° around the top cutting edge. They are all checked for centre height and accuracy and supplied in matching pairs, they will be packed in sets of three or four for triple or quadruple operation if requested. This enables rapid setting of the the blades when jiggging and only minimum tension required when cutting, thus giving an extended blade life and helping eliminate shear marks whilst maintaining coolant fluids to a minimum. The set of blades should be fitted on the same arm for maximum benefit.



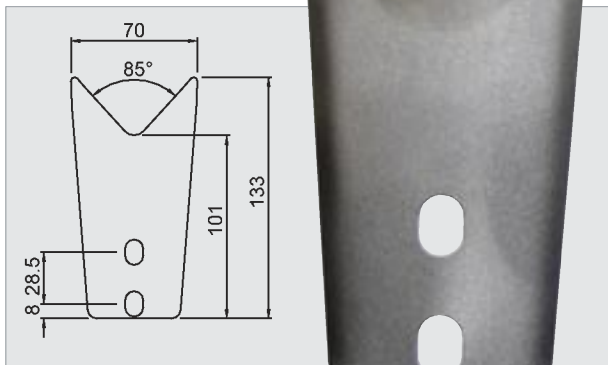


Shear Blades

Manufactured by Glass Shearing Services Ltd

Dimensions

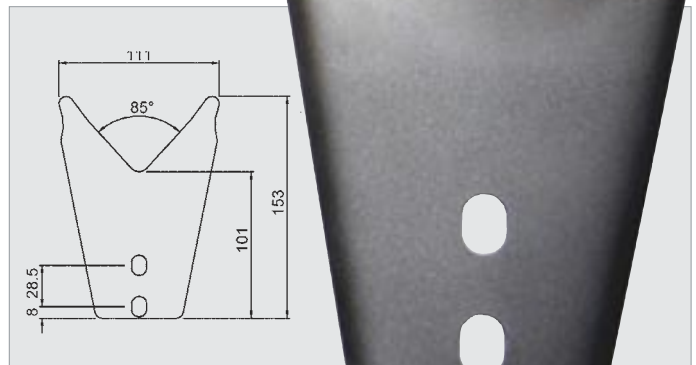
Small 'V' Dimensions



GSS-202A



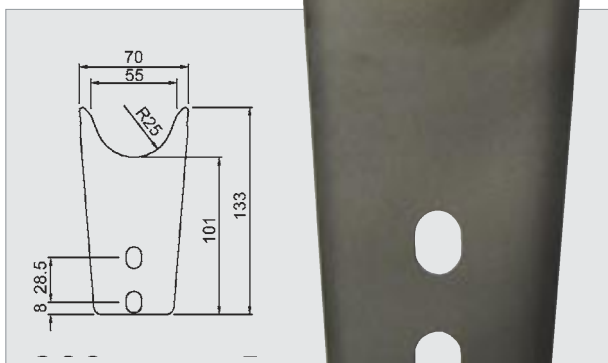
Large 'V' Dimensions



GSS-102A



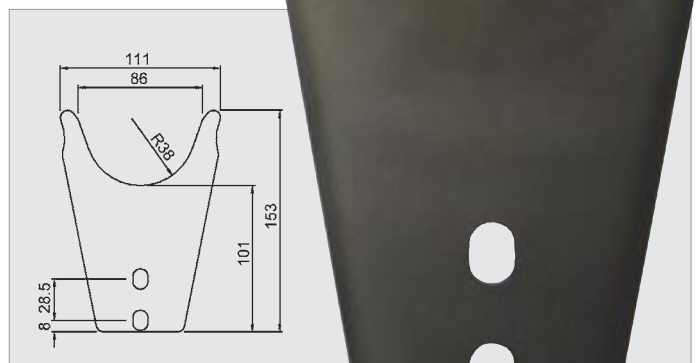
Small Radius Dimensions



GSS-104-25-R



Large Radius Dimensions



GSS-103-38-R

